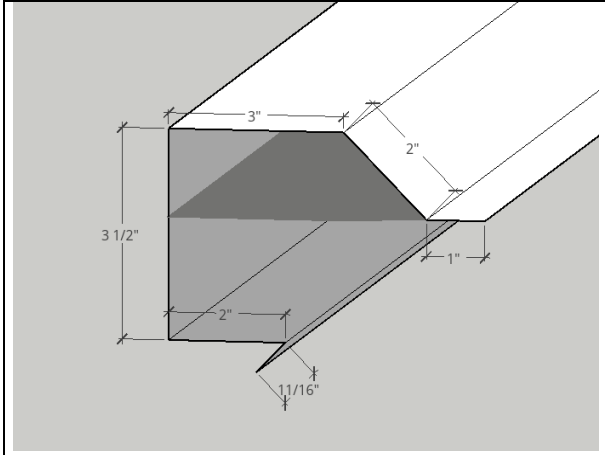
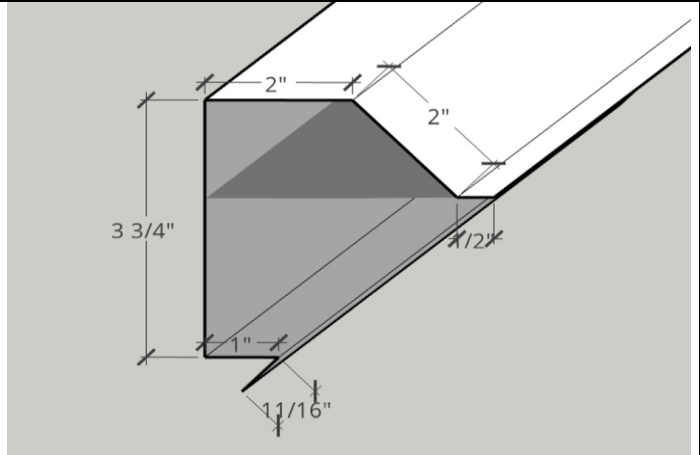




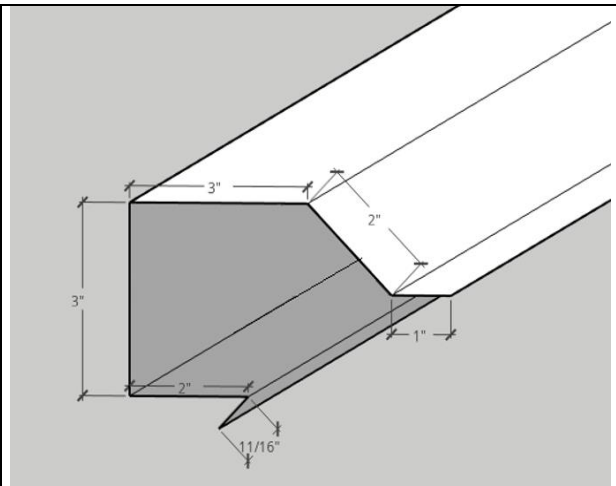
REMATERIA HUURRE PANAMA



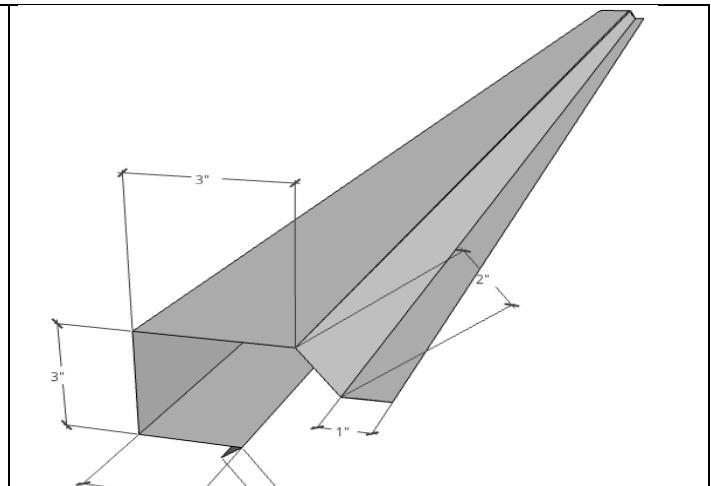
50MM ROOF COPING



60MM ROOF COPING



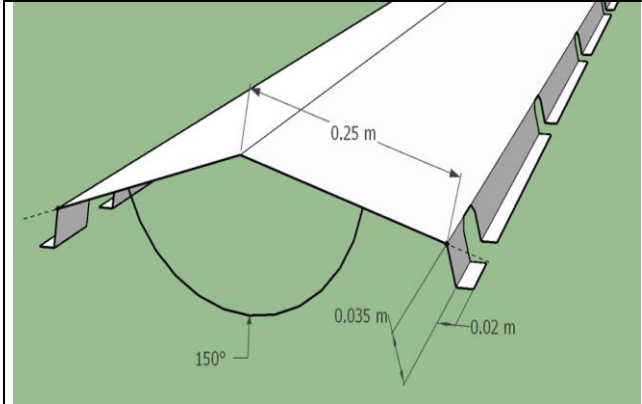
40MM ROOF COPING



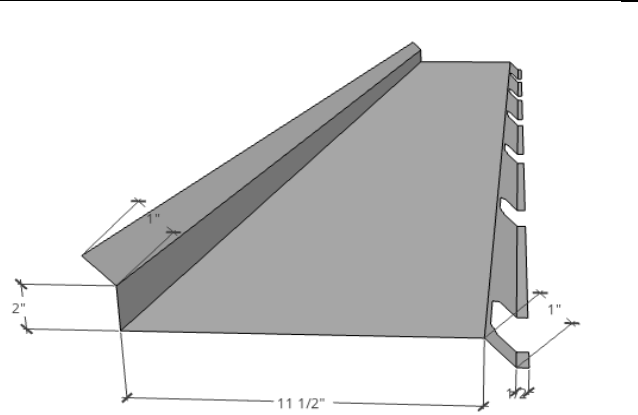
30MM ROOF COPING



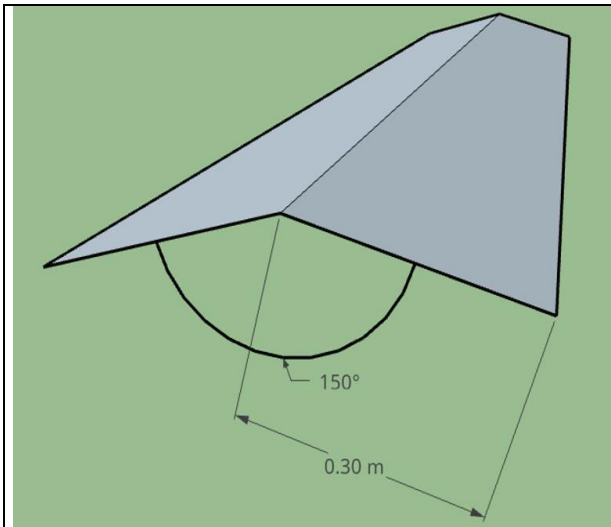
REMATERIA HUURRE PANAMA



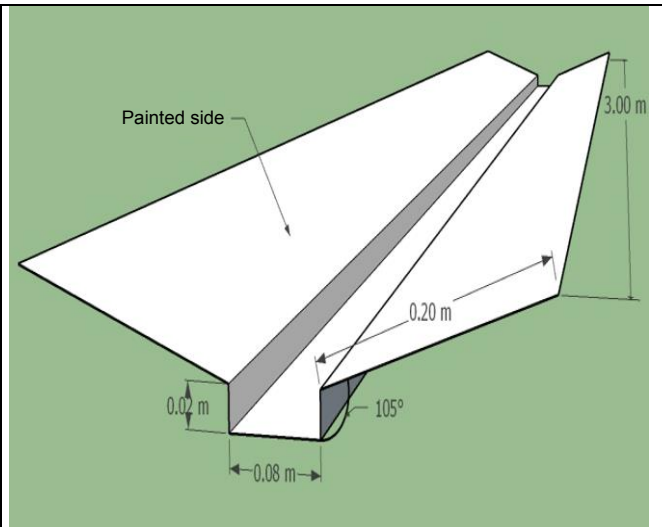
DIE-CUT RIDGE



FACE TO HEIGHT OF SLOPE JOINT

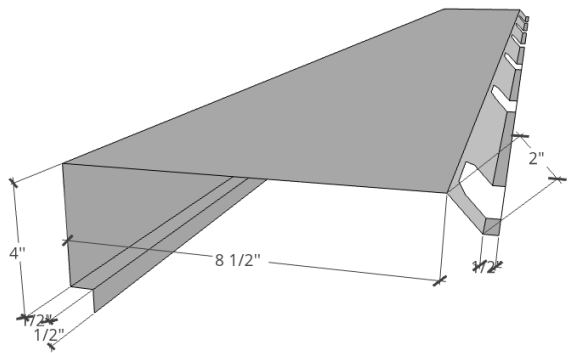


COUNTER RIDGE

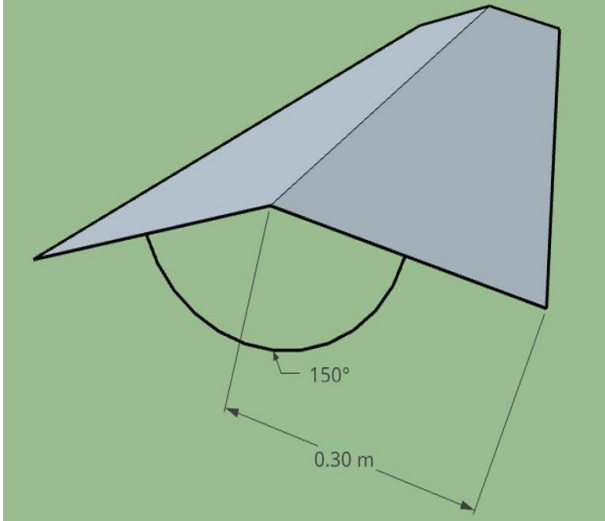


ROOF VALLEY

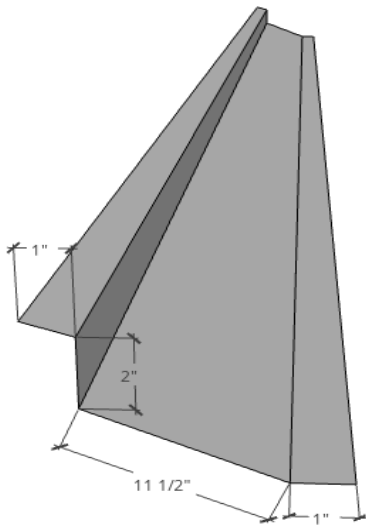
REMATERIA HUURRE PANAMA 



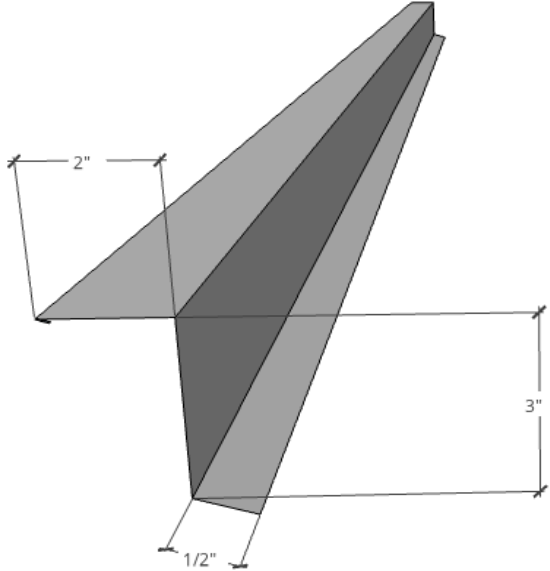
HIGH SLOPE END



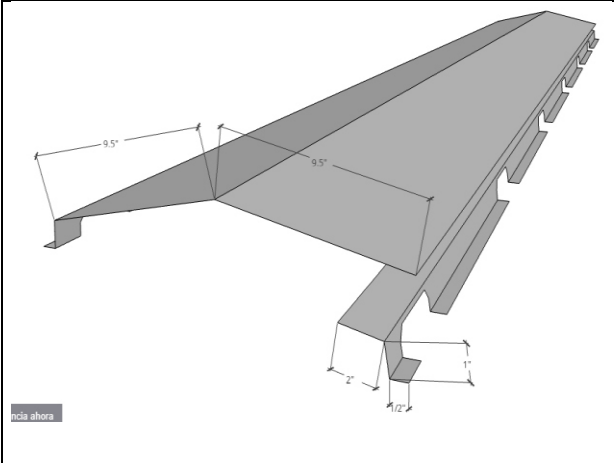
ROOF HIP



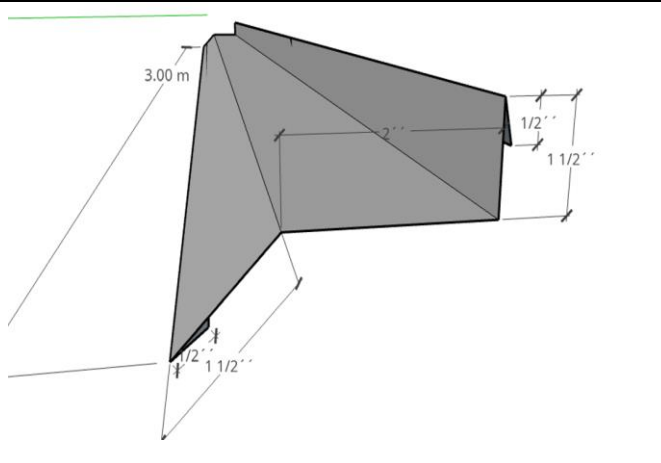
WALL TO SIDEJOINT



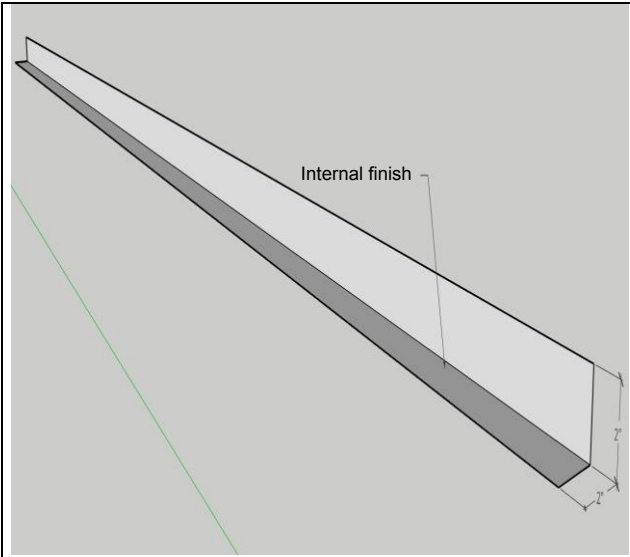
DOWN SLOPE END



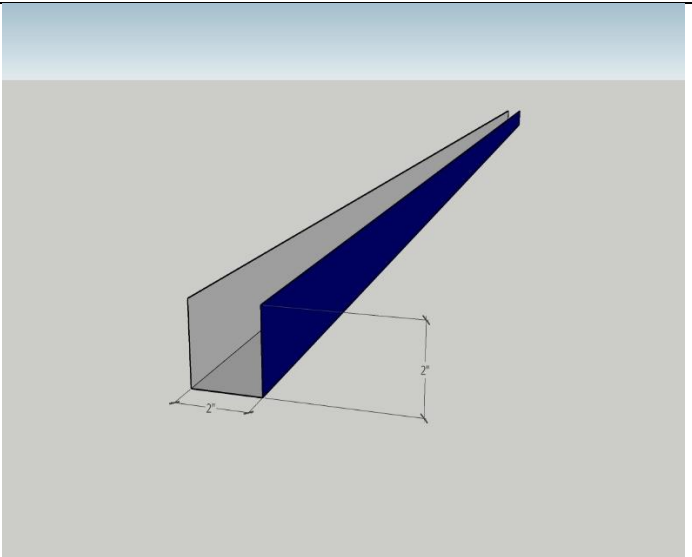
SPECIAL DIE-CUT RIDGE



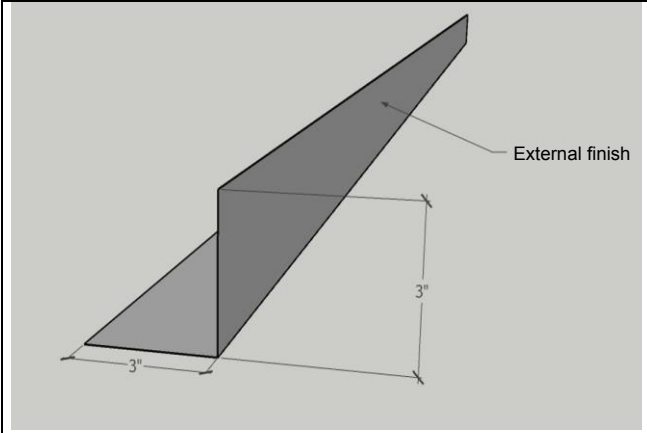
WATER DROPPERS FOR WALL 50MM (CHANGE ACCORDING TO PANEL THICKNESS)



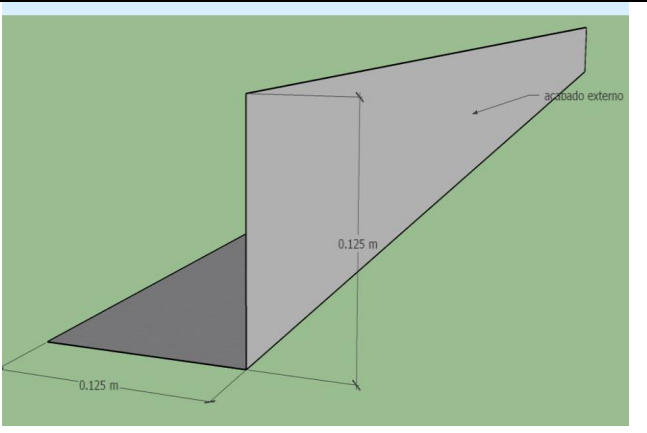
INTERNAL ANGLE OF 50MM



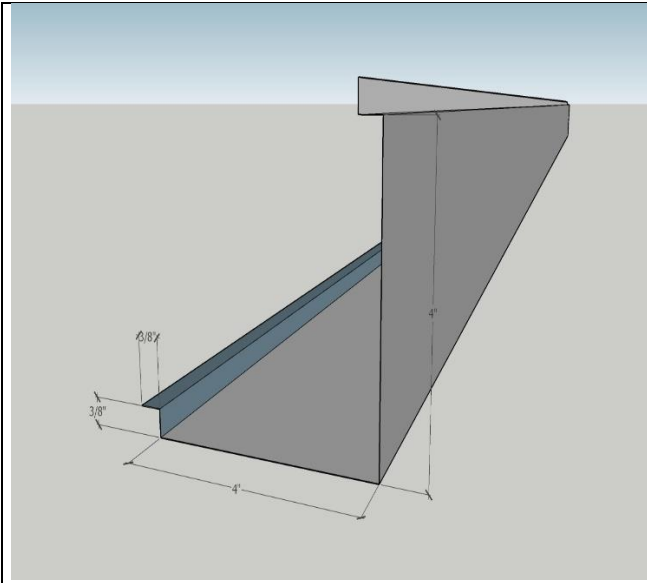
50 MM U PROFILE (changes according to panel thickness)



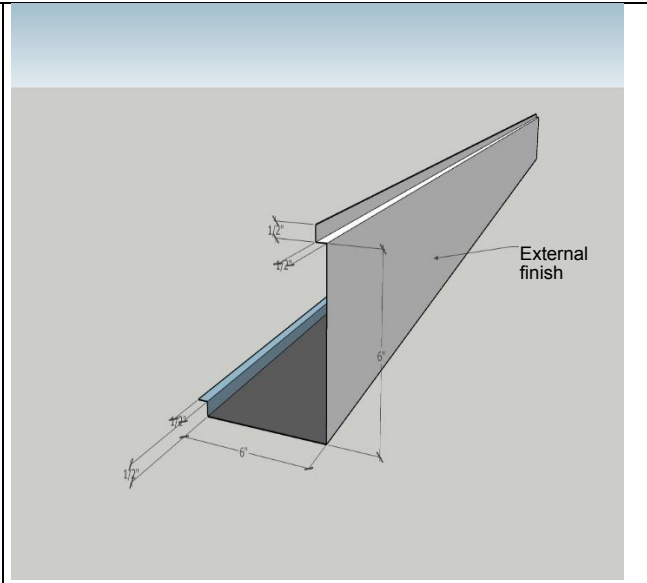
75MM ANGLE



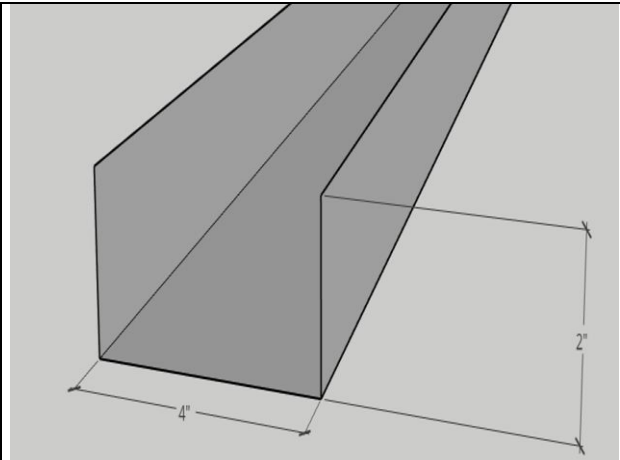
125MM ANGLE



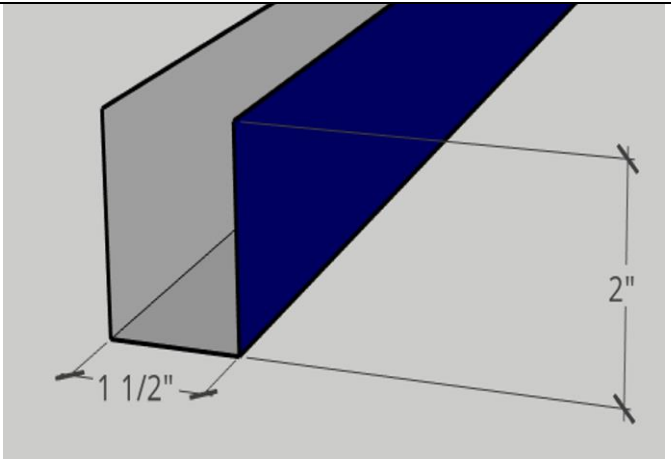
100MM ANGLE



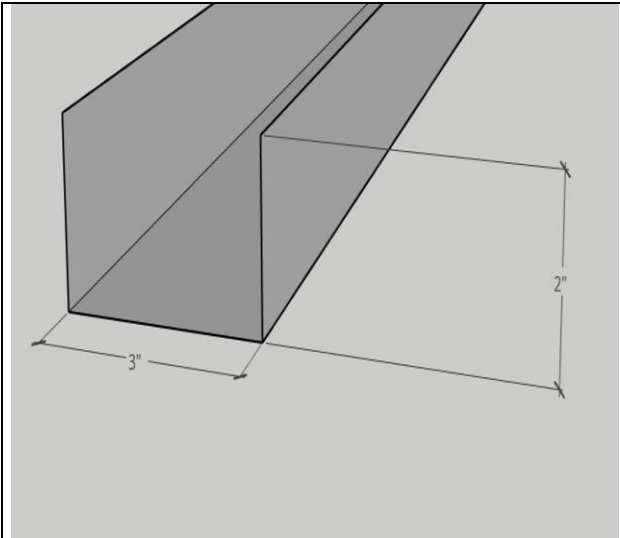
ANGLE OF 150 MM



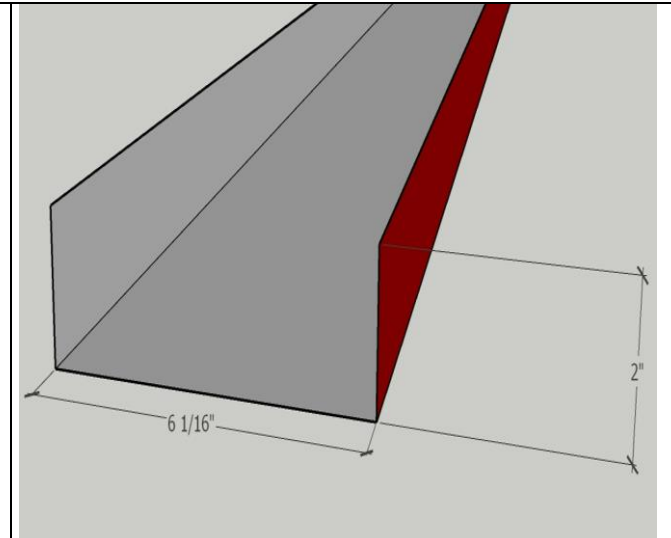
100MM U PROFILE



40MM U PROFILE



75MM U PROFILE



150MM U PROFILE

NOTES: The finishes are chosen according to the type of roof design, walls for refrigerators or facades.